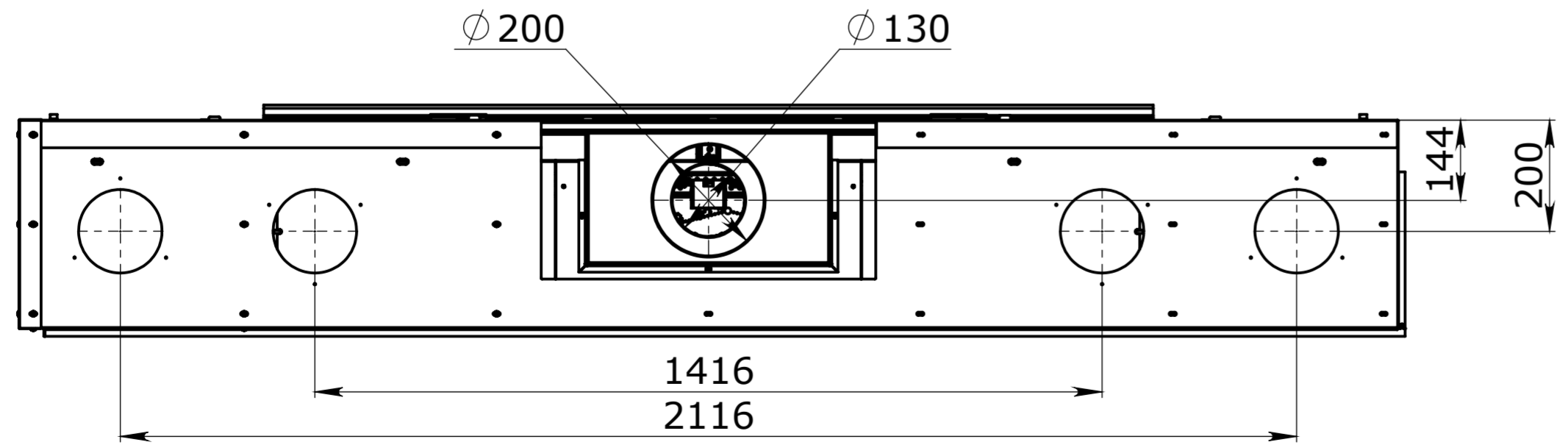
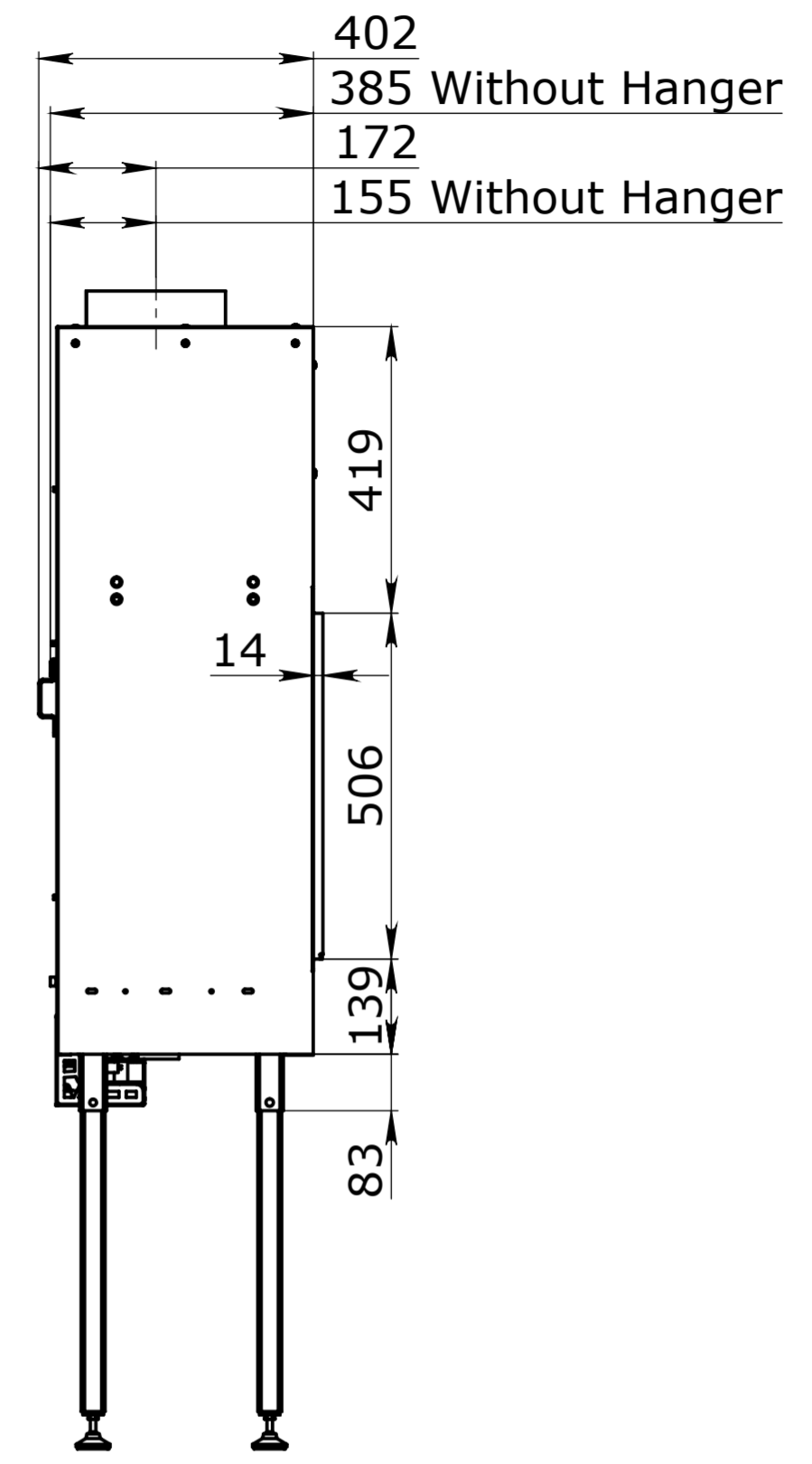
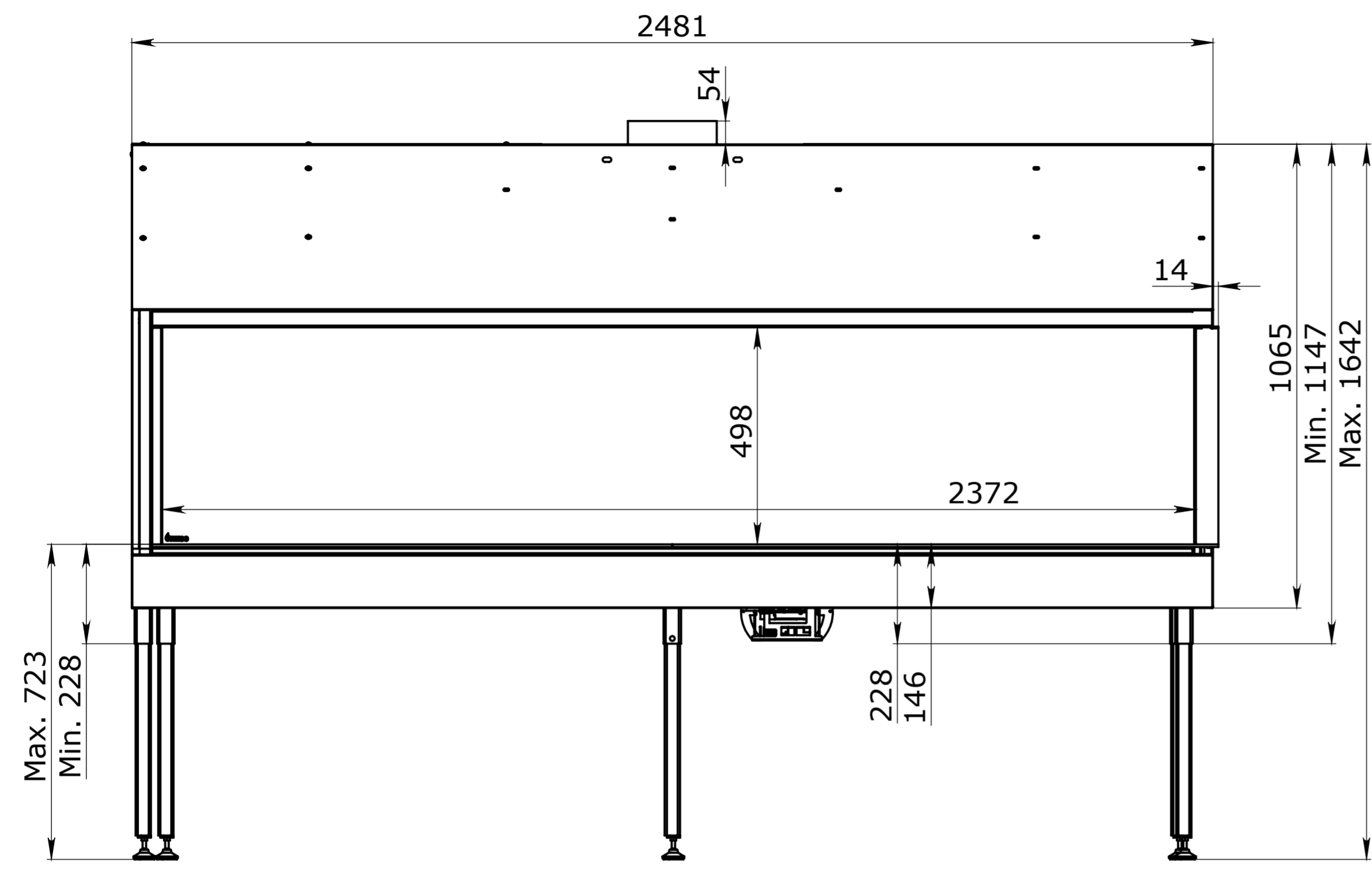


12 11 10 9 8 7 6 5 4 3 2 1

H
G
F
E
D
C
B
A

H
G
F
E
D
C
B
A



UNLESS OTHERWISE SPECIFIED: DIMENSIONS ARE IN MILLIMETERS				FINISH:		DEBURR AND BREAK SHARP EDGES		DO NOT SCALE DRAWING		REVISION
SURFACE FINISH:										
TOLERANCES:										
LINEAR:										
ANGULAR:										
	NAME	SIGNATURE	DATE			TITLE:				
DRAWN										
CHK'D										
APPV'D										
MFG										
Q.A						MATERIAL:		DWG. NO.		A2
						WEIGHT:		SCALE:1:10		SHEET 4 OF 5
								NV250 F2R		

12 11 10 9 8 7 6 5 4 3 2 1